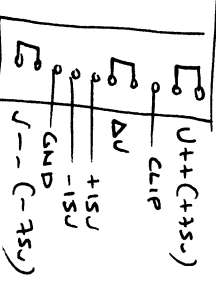
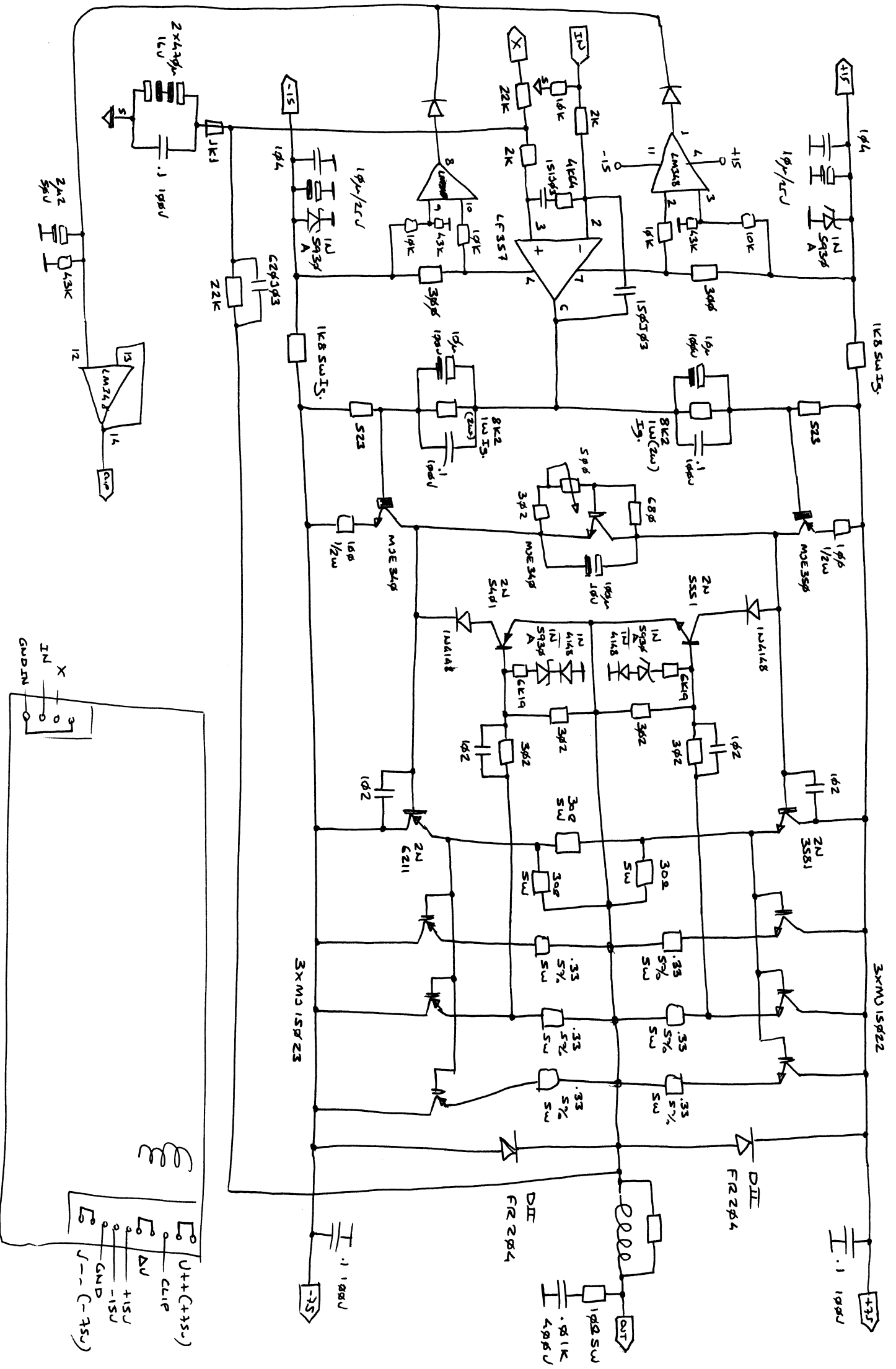


ETAPA CREST FA 8000 (CREST AUDIO 394.03 EPC-1)



U++ (+35V)
 CLIP
 ΔV
 +15V
 -15V
 GND
 V-- (-35V)